

R2 TASK SEATING

SPOT



FEATURES

- » Adjustable seat height
- » Adjustable back height (ratchet)
- » Adjustable seat and back angle
- » Adjustable weight tension
- » Optional adjustable arms
- » Moulded seat and back foam
- » Mega big boy seat
- » 3 lever heavy duty ergonomic mechanism
- » 700mm black nylon base
- » Chair not available with drafting kit
- » Available in Metro black only
- » AFRDI tested to level 6
- » Minor assembly required
- » Suitable for indoor use only
- » 7 year warranty
- » Weight limit is 140kg

INDOOR USE ONLY

X Do not use as a step ladder

OPTIONAL
ADJUSTABLE ARMS

RIGHT BACK LEVER

To adjust back angle

RIGHT MIDDLE LEVER

To adjust seat angle

RIGHT FRONT LEVER

To adjust seat height

700MM BLACK NYLON 5 STAR
BASE WITH CASTORS

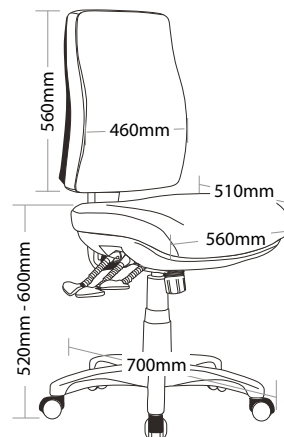
Use soft tyred castors for tiles
Use hard tyred castors for carpet

To adjust back height hold back with two hands while seated and raise to desired height

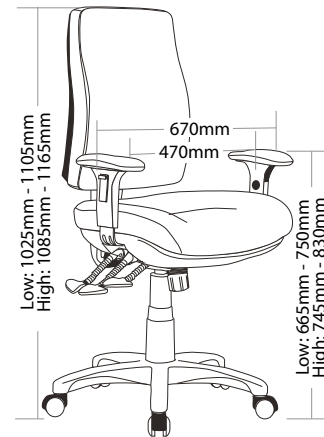
To lower the back height raise back all the way to the top and release slowly

FRONT KNOB

To adjust weight tension



SPOT-MB



SPOT-C-MB

SPOT TASK SEATING



SPOT-MB



SPOT-C-MB



BACKVIEW