

R6 EXECUTIVE SEATING

CRUZ



FEATURES

- » Adjustable seat height
- » Adjustable seat and back angle
- » Adjustable weight tension
- » Fixed chrome arms
- » Available in high and low back
- » Knee tilt mechanism with 3 locking positions
- » 700mm aluminium base
- » Available in black PU only
- » Minor assembly required
- » Suitable for indoor use only
- » 5 year warranty
- » Weight limit is 120kg

INDOOR USE ONLY

X Do not use as a step ladder

FIXED CHROME ARMS

LEFT LEVER

To adjust seat and back angle

RIGHT LEVER

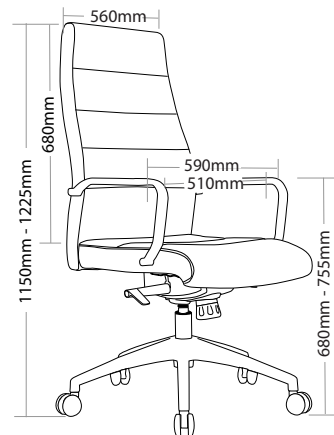
To adjust seat height

FRONT KNOB

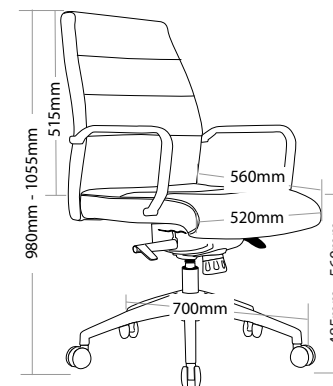
To adjust weight tension

700MM ALUMINIUM 5 STAR BASE WITH CASTORS

Use soft tyred castors for tiles
Use hard tyred castors for carpet



CRUZ-H



CRUZ-L

CRUZ EXECUTIVE SEATING



CRUZ-H



CRUZ-L



BACK VIEW